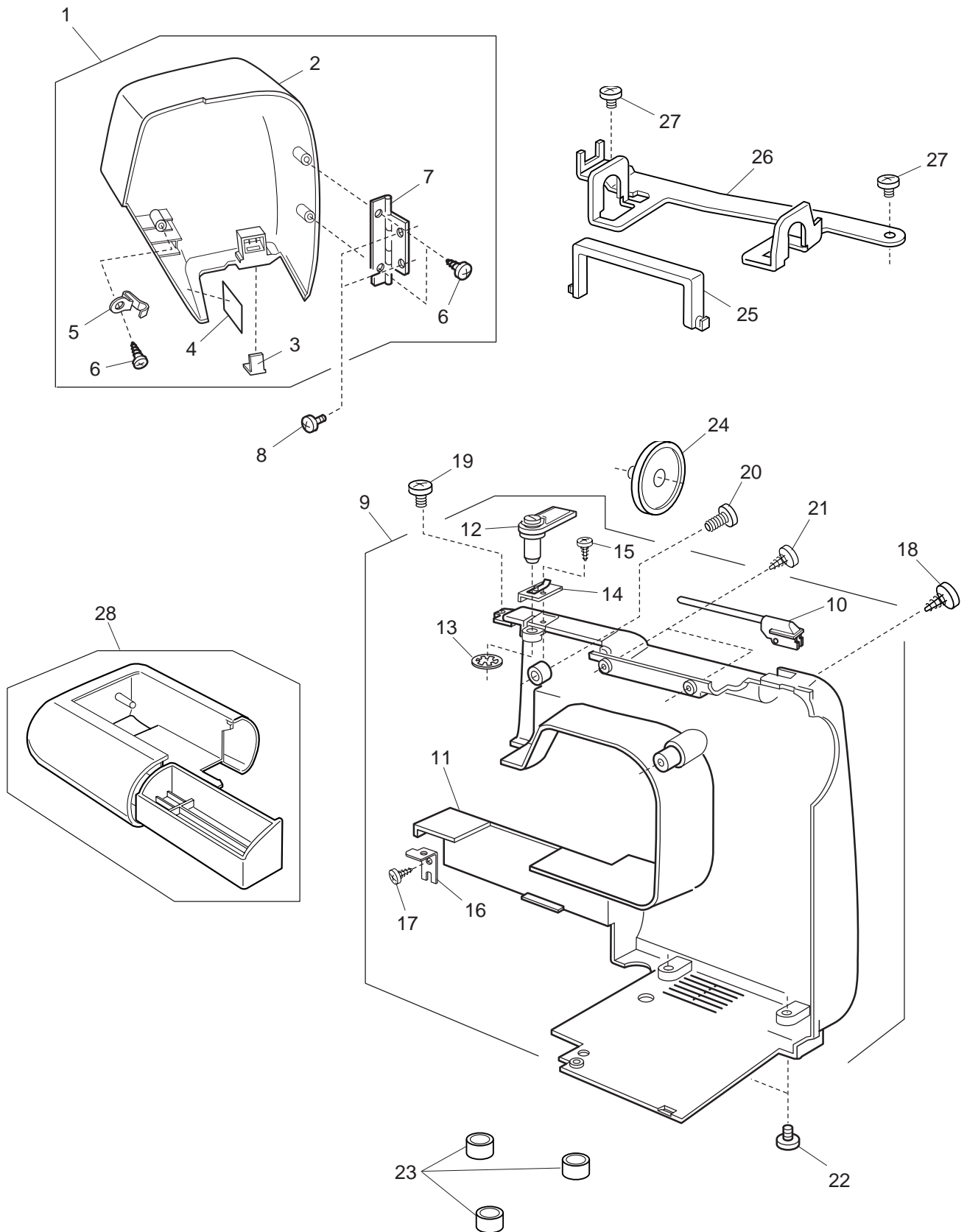


PARTS LIST

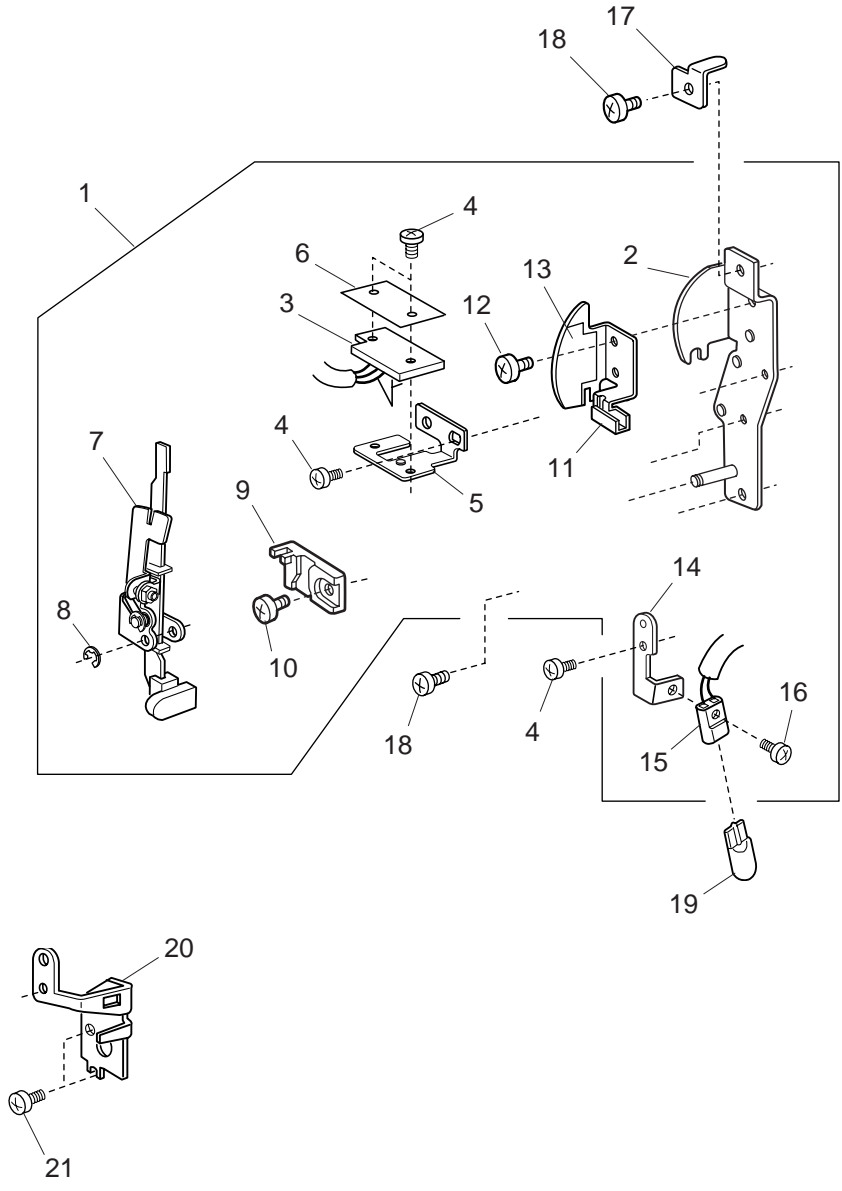
PARTS LIST



PARTS LIST

KEY NO.	PARTS NO.	DESCRIPTION
1	843640603	Face cover (unit)
2	843095401	Face cover
3	840602006	Thread cutter (unit)
4	724025006	Face plate sticker
5	731067002	Face plate spring
6	000161206	Setscrew 3x10 (B)
7	366501102	Face cover hinge (unit)
8	000081119	Setscrew 4x6
9	843632602	Rear cover (unit)
10	659067005	Spool pin
11	843077603	Rear cover
12	650503506	Tread guide (unit)
13	000014409	Snap ring CS-8
14	827503005	Top cover thread guide (unit)
15	000162001	Setscrew 2.6x5 (B)
16	827006003	Rear cover set plate
17	000120203	Setscrew 3x8 (B)
18	000119601	Setscrew 4x25 (B)
19	810220003	Setscrew
20	000104119	Setscrew 4x20
21	000161309	Setscrew 3x12 (B)
22	000103509	Setscrew 4x10
23	647009002	Bed rubber base
24	822020503	Spool holder (large)
25	751100000	Handle
26	843005002	Handle set plate
27	000081005	Setscrew 4x8
28	843501106	Extension table (unit)

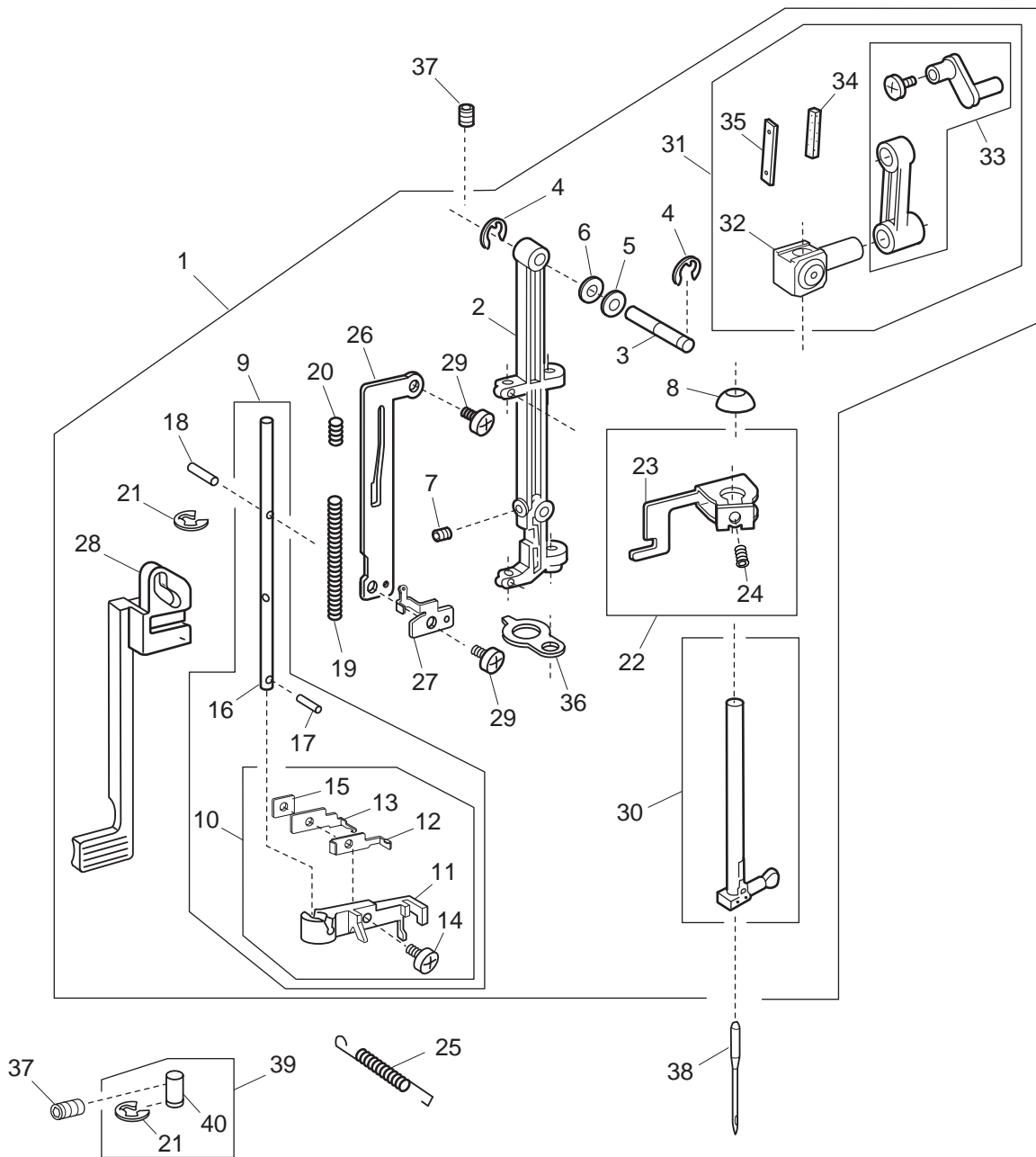
PARTS LIST



PARTS LIST

KEY NO.	PARTS NO.	DESCRIPTION
1	843623507	Front base plate (unit)
2	844096003	Front base plate
3	843502004	Printed circuit board E-1 (unit)
4	000101105	Setscrew 3x4
5	844040013	BH sensor set plate
6	845029008	Insulation paper
7	843625004	BH lever (unit)
8	000002105	Snap ring E-3
9	830057021	BH lever guide
10	000103808	Setscrew 3x5
11	827029013	Cord guide plate
12	652203004	Setscrew 3x3.5
13	829016002	Sticker
14	843055007	Lamp set plate (2)
15	843508206	Lump socket (unit)
16	000115308	TP setscrew 2x8
17	827106004	Set plate
18	000081005	Setscrew 4x8
19	000026002	Wedge base lamp 12V 5W
20	843038004	Lump set plate (1)
21	000101507	Setscrew 3.5x5

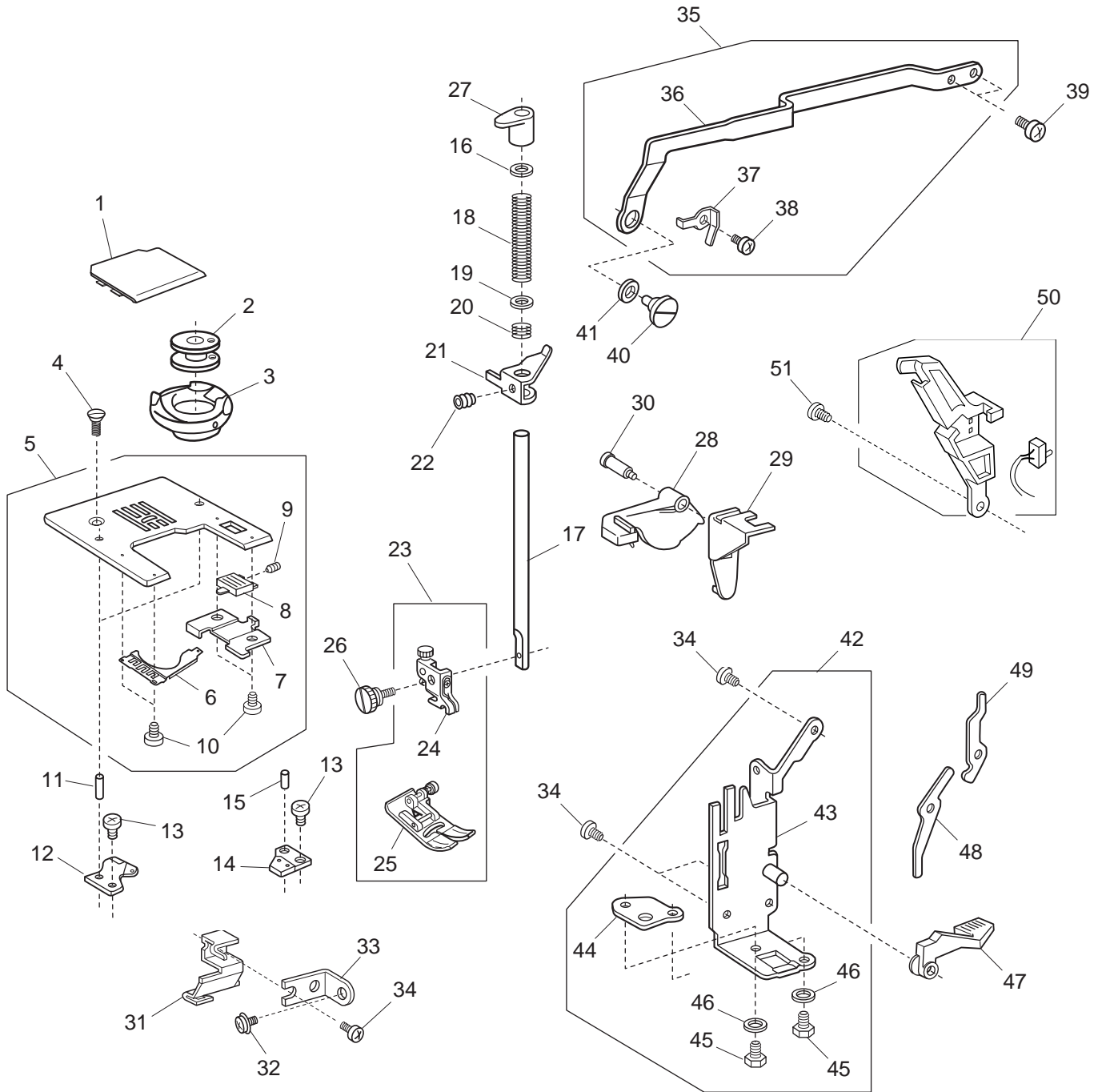
PARTS LIST



PARTS LIST

KEY NO.	PARTS NO.	DESCRIPTION
1	842636108	Needle bar supporter (unit)
2	827026010	Needle bar supporter
3	730022002	Needle bar supporter pin
4	000002507	Snap ring E-4
5	000070609	Washer
6	673022002	Spring washer
7	000111902	Hexagonal socket screw 3x4
8	827098013	Washer
9	842637006	Threader shaft (unit)
10	842638007	Threader plate (unit)
11	755064106	Threader guard plate
12	842088006	Thread retension plate
13	844095002	Threader plate
14	755096004	Setscrew
15	755095003	Nut
16	840036025	Threader shaft
17	000003508	Spring pin 2x8
18	000125105	Guide pin E-2x16-CH
19	842090001	Threader shaft spring
20	842096007	Threader lever spring
21	000002105	Snap ring E-3
22	807607008	Threader positioning setting plate (unit)
23	807018006	Threader positioning setting plate
24	000111902	Threader positioning setting block
25	844038018	Supporter spring
26	842091002	Threader guide plate
27	844036027	Threader lever plate
28	842092003	Threader lever
29	000078319	Setscrew 3x6
30	653503103	Needle bar (unit)
31	843652000	Needle bar connecting stud (unit)
32	639516002	Needle bar connecting stud (unit)
33	843543007	Needle ber crank (unit)
34	650040005	Felt
35	650041006	Spring
36	829027006	Supporter guide plate
37	000111201	Hexagonal socket screw 4x4
38	102408089	Needle HA-14
39	842625001	Supporter guide pin (unit)
40	827083004	Pin

PARTS LIST



PARTS LIST

KEY NO.	PARTS NO.	DESCRIPTION
1	750036012	Hook cover plate
2	102261000	Bobbin
3	627569209	Bobbin holder (unit)
4	681009101	Needle plate setscrew
5	756604303	Needle plate (unit)
6	832235010	Hook cover plate holder (left)
7	825015010	Hook cover plate holder (right)
8	825016000	Hook cover plate holder release button
9	825017001	Hook cover plate holder spring
10	820374004	Setscrew 2x2.3
11	000122504	Pin D3x10CH
12	827011001	Reverse rotation stopper
13	810220003	Setscrew
14	627567001	Rotation stopper (unit)
15	000122700	Pin D2.5x6-LC
16	652201002	Washer
17	827021004	Presser bar
18	826006000	Presser spring
19	826055004	Washer
20	826056005	Spring
21	735028003	Presser bar bracket
22	000111500	Hexagonal socket screw 4x8
23	829515006	Presser foot unit
24	804509000	Presser foot holder (unit)
25	832523007	Zigzag foot (unit)
26	647112009	Thumb screw
27	652104004	Presser bar bushing
28	829013009	Presser adjusting lever
29	829014000	Presser adjusting plate
30	820090003	Hinge screw
31	827036002	Arm thread guide
32	000115205	TP setscrew 4x6
33	827037003	Front panel set plate
34	000081005	Setscrew 4x8
35	827622012	Zigzag rod (unit)
36	827055018	Zigzag rod
37	827088009	Zigzag rod spring
38	820373003	Setscrew 2x3
39	000078319	Setscrew 3x6
40	678084007	Eccentric pin
41	653037008	Washer
42	827608207	Presser base plate (unit)
43	827020036	Presser base plate
44	827082003	Foot regulating plate
45	000066303	Hexagonal bolt 4x6
46	000070908	Washer 4
47	735029004	Presser foot lifter
48	827022005	Tension release lever (1)
49	827023006	Tension release lever (2)
50	840623302	Switch base (unit)
51	000103808	Setscrew 3x5

PARTS LIST

